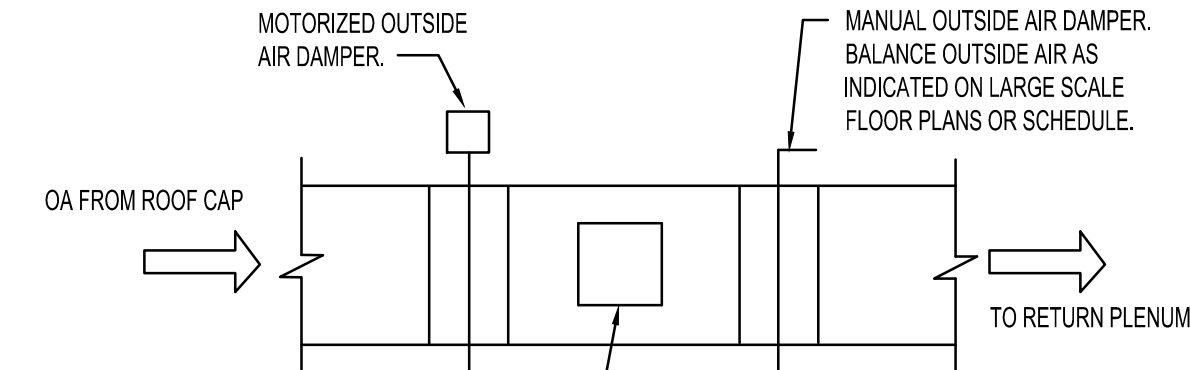
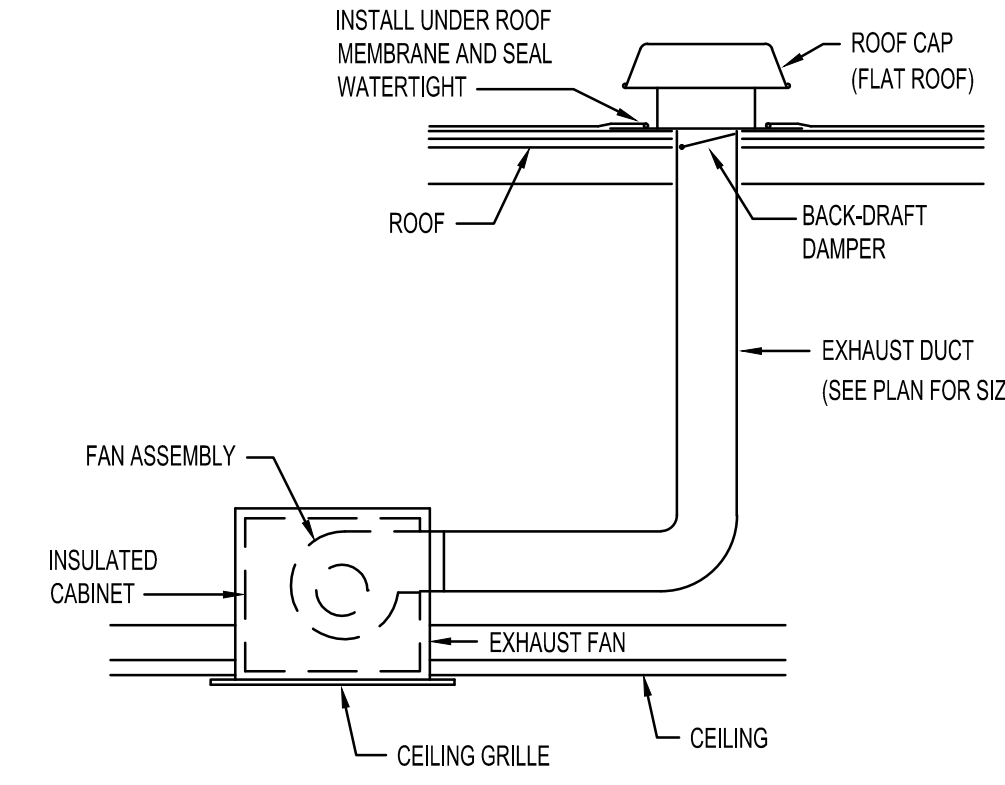


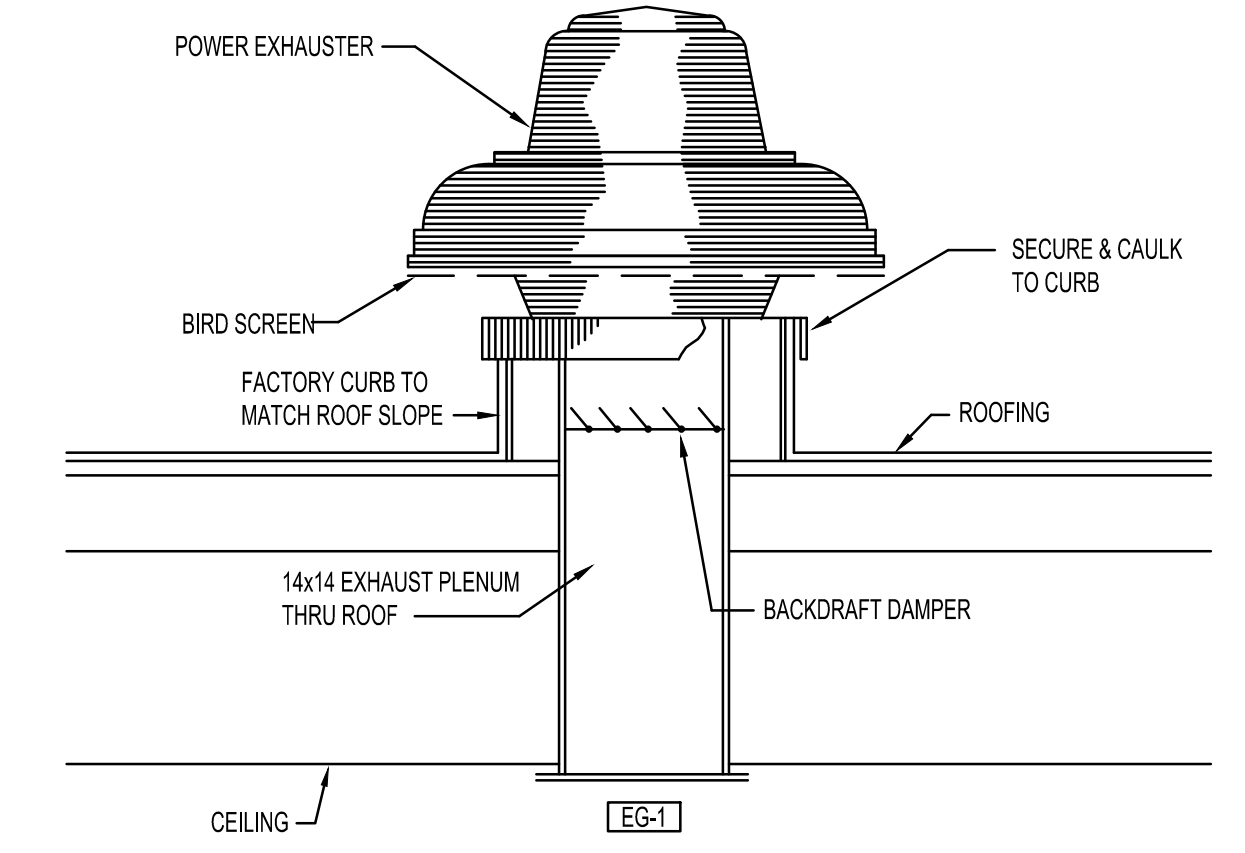
**A ROUND DUCT ELBOW DETAILS** NO SCALE



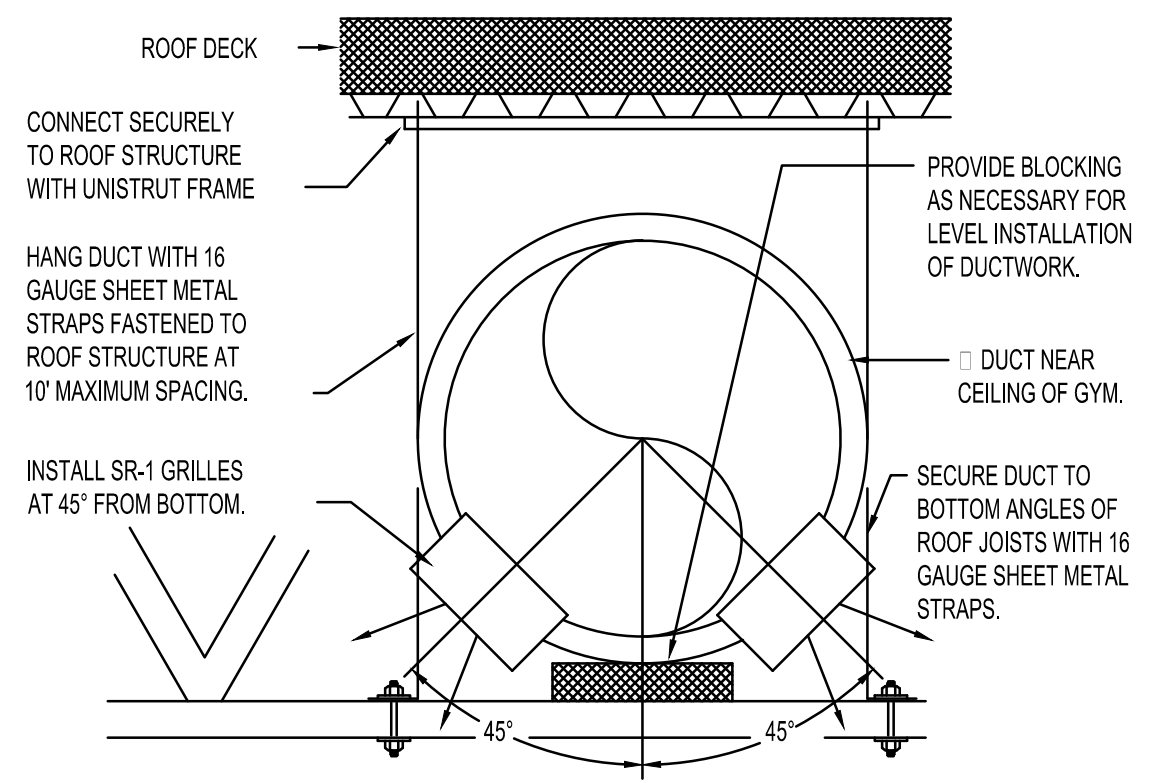
**B OUTSIDE AIR DAMPER INSTALLATION** NO SCALE



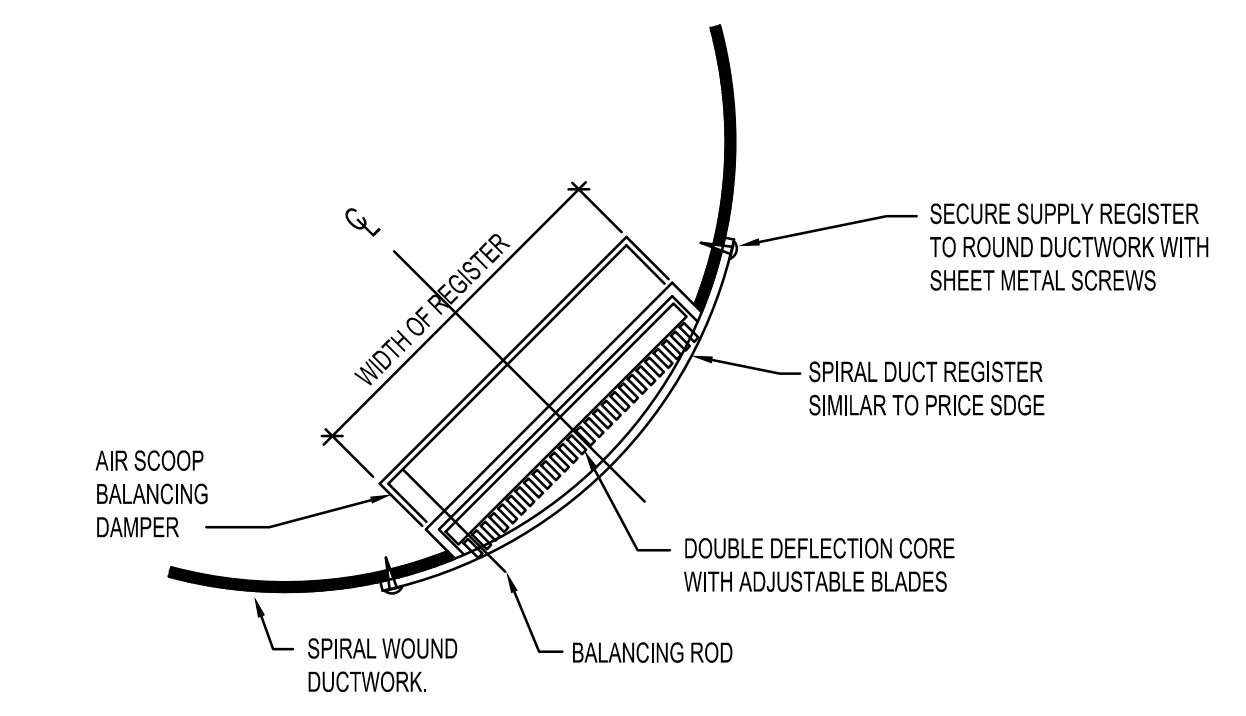
**C CEILING MOUNTED EXHAUST FAN DETAIL** NO SCALE



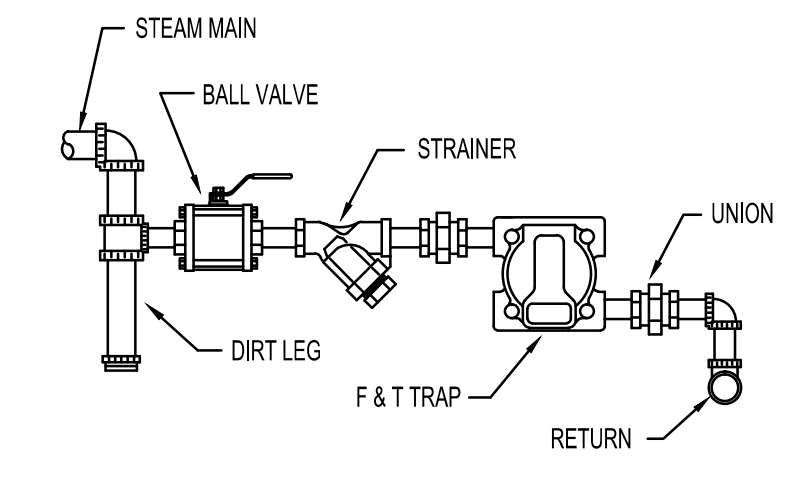
**D ROOF MOUNTED EXHAUST FAN DETAIL** NO SCALE



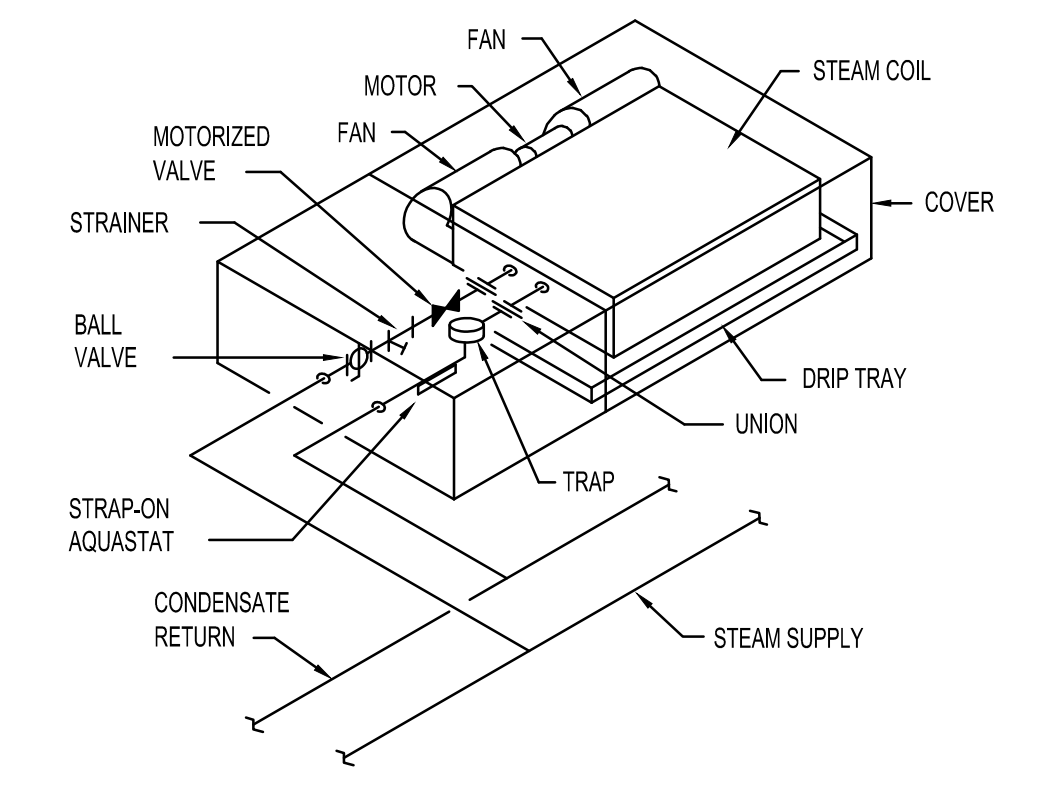
**E MULTI-PURPOSE ROOM DUCT SUPPORT DETAIL** NO SCALE



**F SR-1 REGISTER INSTALLATION DETAIL** NO SCALE

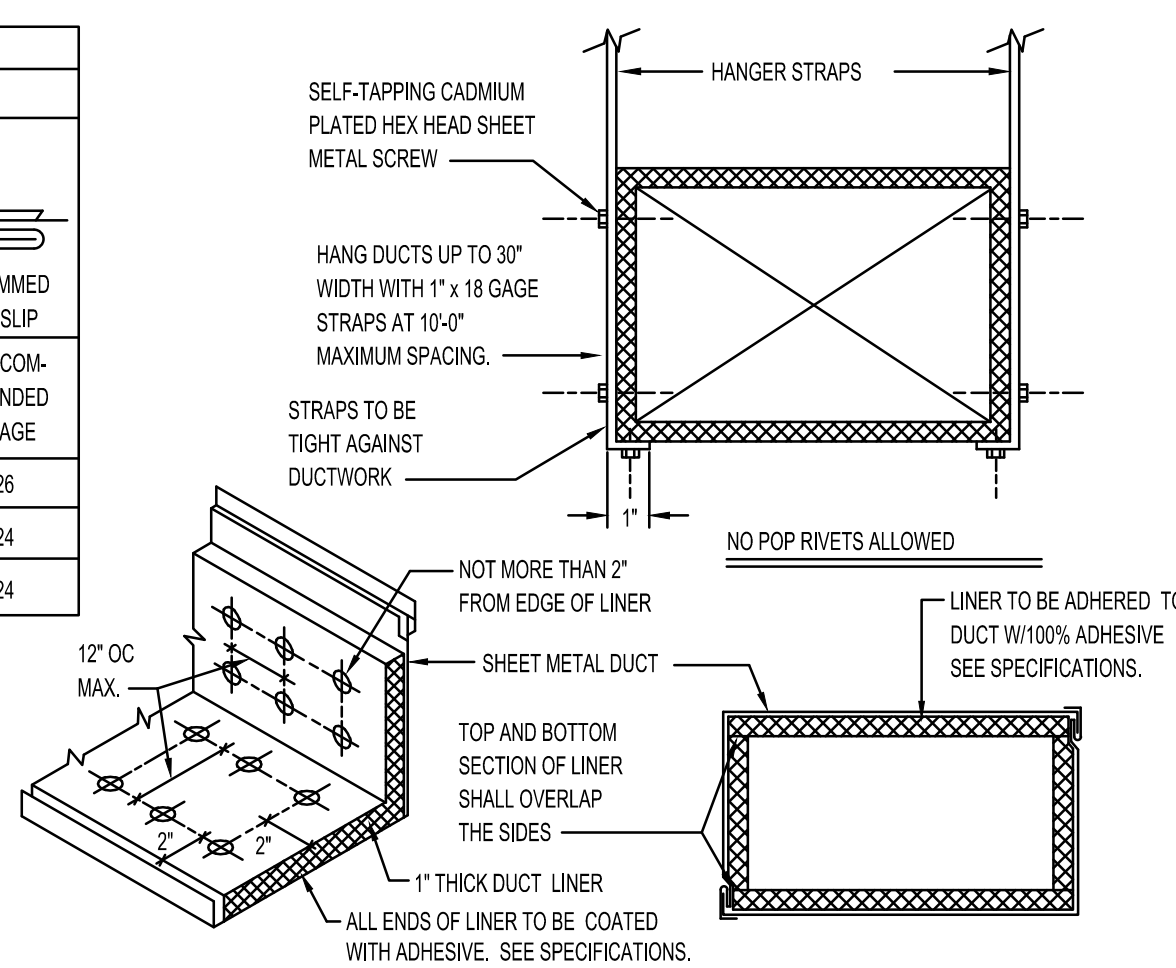


**G DRIP TRAP DETAIL** NO SCALE

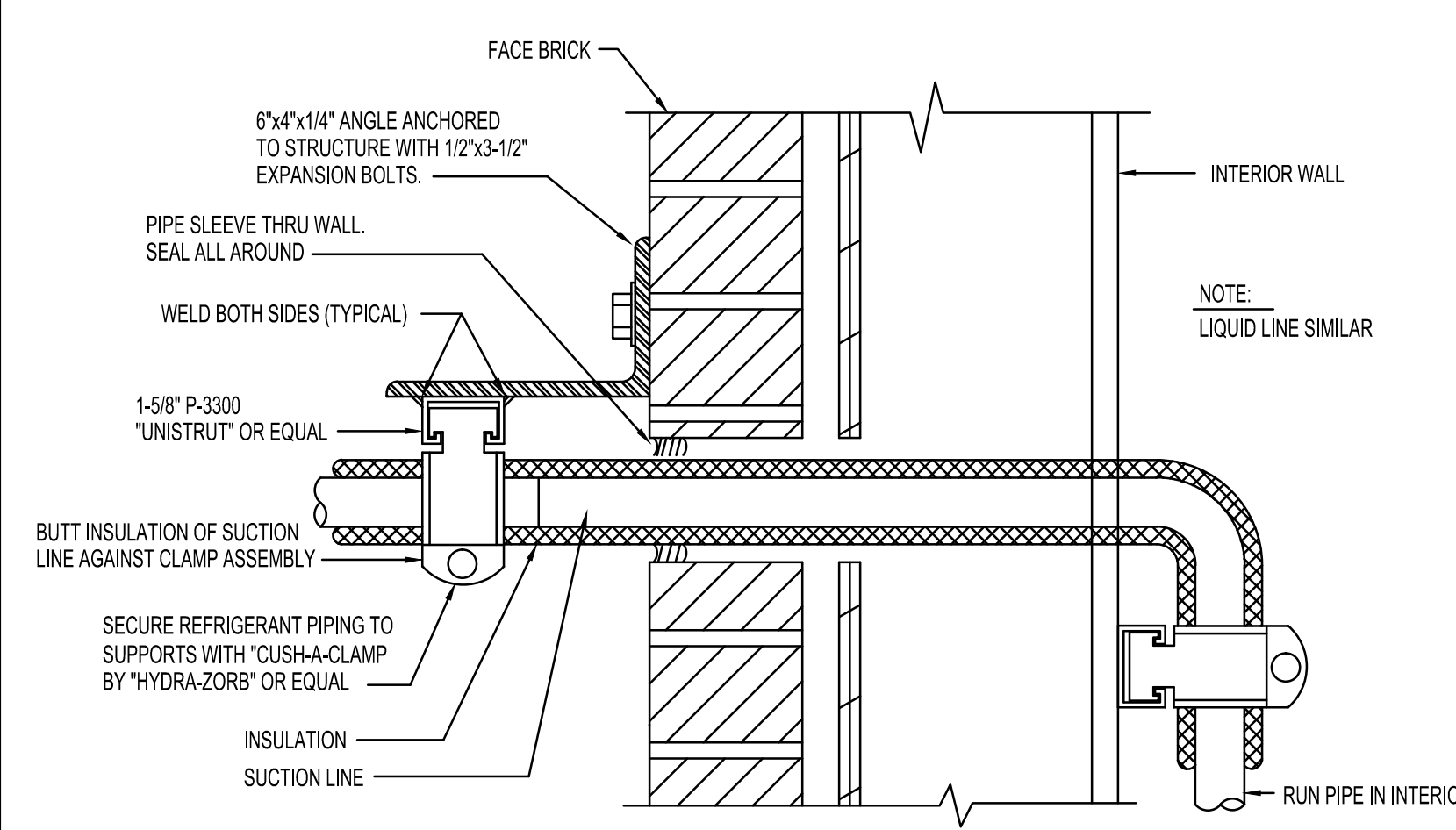


**H STEAM UNIT HEATER PIPING DIAGRAM** NO SCALE

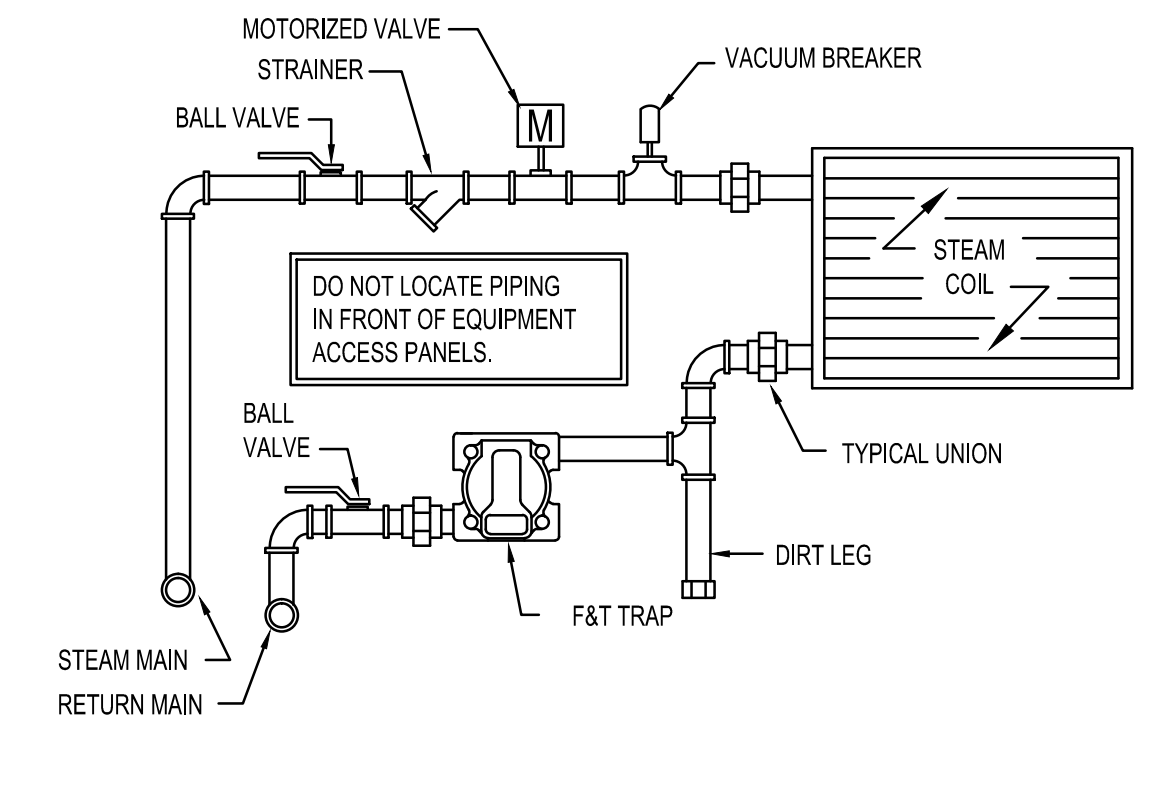
| DIMENSION OF LONGEST SIDE, INCHES | SHEET METAL GAGE (ALL FOUR SIDES) | TRANSVERSE REINFORCING (1)   |                            |
|-----------------------------------|-----------------------------------|--|----------------------------|
|                                   |                                   | MINIMUM REINFORCING ANGLE SIZE AND MAXIMUM LONGITUDINAL SPACING BETWEEN TRANSVERSE JOINTS & INTERMEDIATE REINFORCING | AT JOINTS                  |
| UP THRU 12                        | 26                                | NONE REQUIRED  | DRIVE SLIP / HEMMED S SLIP |
| 13 - 18                           | 24                                | NONE REQUIRED  | RECOMMENDED GAGE           |
| 19 - 30                           | 24                                | 1"x1"x18" @ 80 IN  | RECOMMENDED GAGE           |



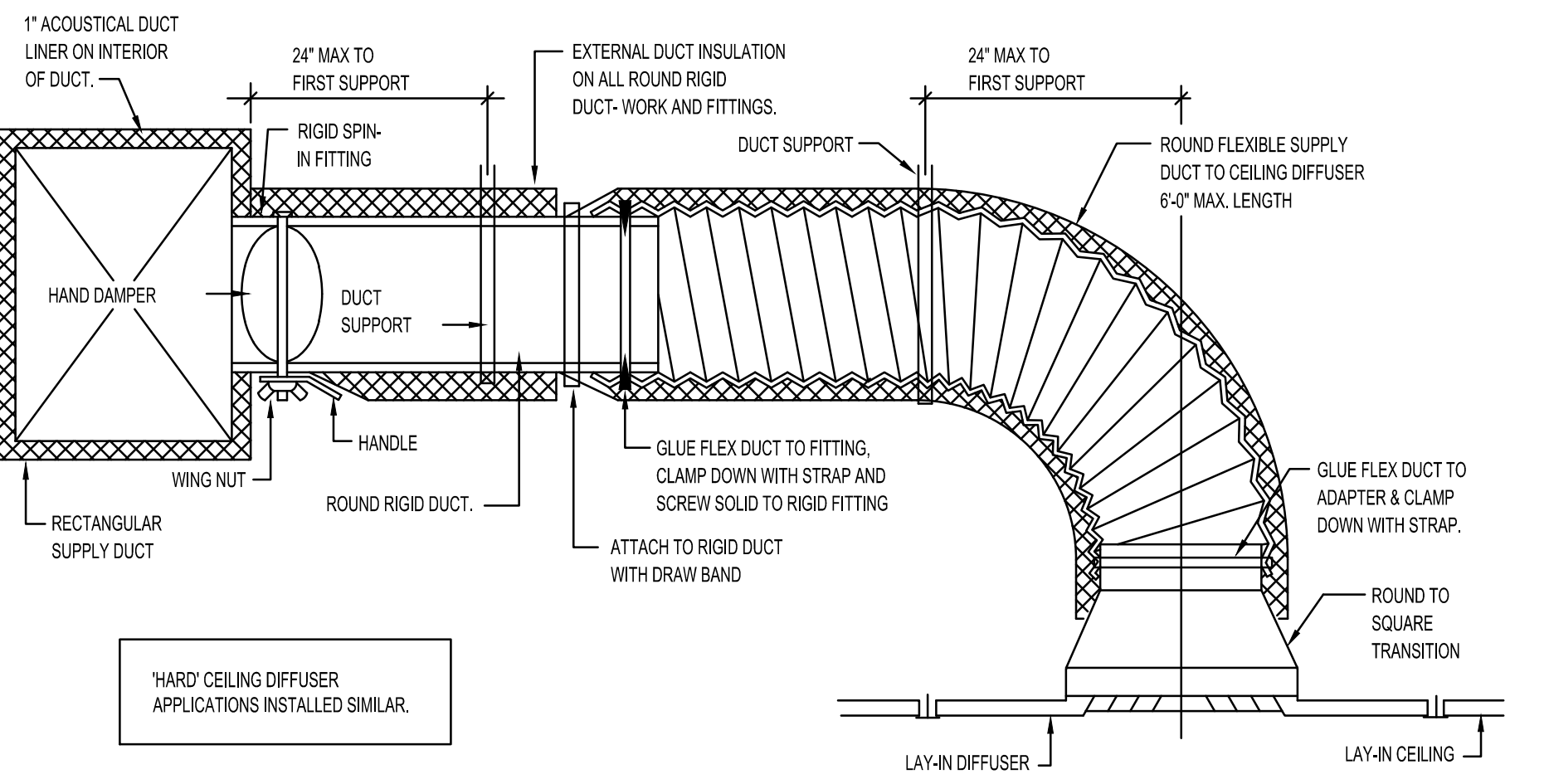
**J DUCT CONSTRUCTION AND HANGER DETAIL** NO SCALE



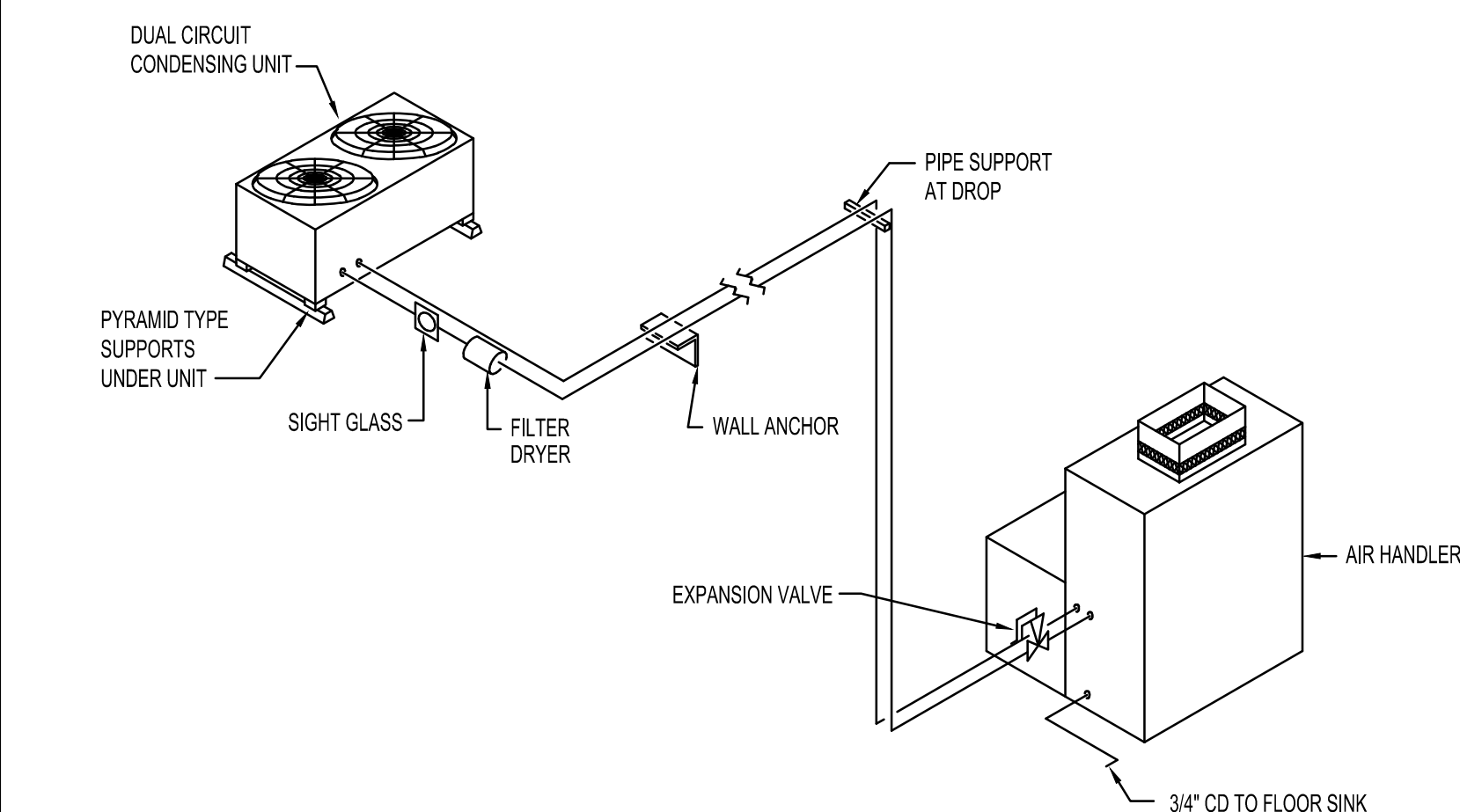
**K REFRIGERANT PIPE SUPPORT AT WALL** NO SCALE



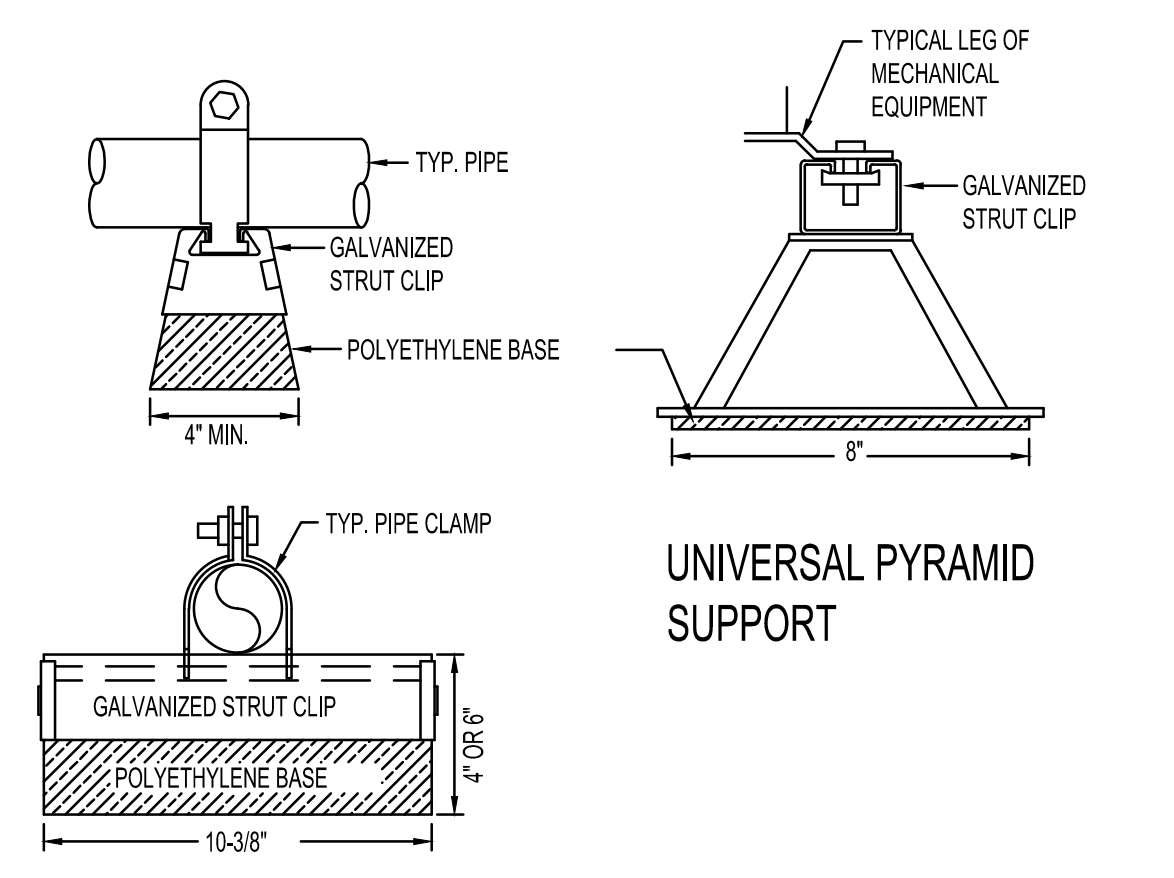
**L AH-1 STEAM COIL PIPING DETAIL** NO SCALE



**M CEILING DIFFUSER WITH FLEXIBLE DUCT DETAIL** NO SCALE



**N AH-1 REFRIGERANT PIPING DIAGRAM** NO SCALE



**O EQUIPMENT & PIPING SUPPORTS** NO SCALE

- GENERAL NOTES:**
- A. THE CONTRACTOR SHALL CHECK AND VERIFY ALL DIMENSIONS AND CONNECTIONS ON THE JOB SITE. ALL WORK SHALL BE EXECUTED FROM MEASUREMENTS TAKEN AT THE SITE.
  - B. THE MECHANICAL CONTRACTOR SHALL BE RESPONSIBLE TO INSURE PROPER CODE CLEARANCES FOR ELECTRICAL AND MECHANICAL ACCESS WHEN INSTALLING ANY EQUIPMENT SUPPLIED BY THE MECHANICAL CONTRACTOR.
  - C. IT IS CRITICAL THAT THIS CONTRACTOR COORDINATE EQUIPMENT LOCATIONS WITH PIPING, DUCTWORK, ELECTRICAL CONDUIT AND BUILDING STRUCTURE TO INSURE CODE COMPLIANCE.
  - D. CEILING DIFFUSERS ARE SHOWN IN APPROXIMATE LOCATIONS. REFER TO LIGHTING PLANS AND REFLECTED CEILING PLAN FOR EXACT LOCATIONS.
  - E. DUCT DIMENSIONS CALLED OUT ON DRAWINGS ARE INSIDE FREE AREA DIMENSIONS. ACOUSTICAL DUCT LINER ARE TO BE ADDED TO OVERALL MEASUREMENTS.
  - F. ALL DUCTWORK AND PIPING WHICH PASSES THRU FIRE RATED WALLS TO BE FIRE STOPPED WITH APPROVED FOAM OR SEALANT. REFER TO SPECIFICATIONS FOR APPROVED MANUFACTURERS.

ORIGINAL DRAWING SIGNED BY: DWAYNE C. SUDWEEKS  
 DATE ORIGINAL SIGNED: March 11, 2019 ORIGINAL ON FILE AT:  
 ENGINEERED SYSTEMS ASSOCIATES 1355 EAST CENTER,  
 POCAHELLO, IDAHO 83201

**Engineered Systems Associates**  
 1355 EAST CENTER  
 POCAHELLO, IDAHO 83201  
 PHONE: (208) 233-0501  
 FAX: (208) 233-0529  
 EMAIL: esa@engsys.com  
 ESA JOB NUMBER: 18071

**nw architects p.a.**  
 ARCHITECTURE / PLANNING / INTERIORS  
 SCOTT L. NIELSON, A.I.A. KEVIN R. BOHLY, A.I.A. JAMES H. WYATT, A.I.A.  
 900 JOHN JOHNS PARKWAY P.O. BOX 2212 - IDAHO FALLS, IDAHO 83402-2212  
 (P) 208-522-8779 (F) 208-522-8785 (O) nwarcs.com

ADDITION & REMODEL FOR:  
**MIDWAY ELEMENTARY**  
 JEFFERSON JOINT SCHOOL DISTRICT NO. 251  
 623 N 3500 E, MENAN, IDAHO 83434

PROJECT:  
 MECHANICAL DETAIL SAND DIAGRAMS

**REVISIONS**

| NO. | DESCRIPTION |
|-----|-------------|
|     |             |
|     |             |
|     |             |

PROJECT NO. 16071  
 DATE: FEBRUARY 2019  
 DRAWN BY: M. JENSEN  
 CHECKED BY: D. SUDWEEKS

DRAWING NO.: **M3.1**